

# How to Build

## TREATED PINE STORAGE SHED



This timber Portal Framed Shed is designed for strength, head height and clear internal span. The secret to its strength lies in the rigid plywood gussets at the internal corners which transfer the roof loads directly to the ground and gives great stability. The shed is based on a width of 2.4 metres, has a centre height of 2.4 metres resulting in good head height throughout.

Its length can be varied according to the number of frames you use. Doors and windows can be added between frames or on the end walls and the shed styled and trimmed to suit your house e.g. Tudor, Ranch, Contemporary and Colonial.

These specifications are for guideline purposes only. For further information contact a consulting engineer or your local shire council.



**GIPPSLAND TREATED PINE**

Ph. (03) 5134 5333

[www.gtpine.com.au](http://www.gtpine.com.au)

# Shed Erection

1. Fix bottom plates to the perimeter of the slab and bolt. Plate off-cut for door opening is used as DOOR HEAD. Untreated seasoned pine must have a damp-proof membrane laid between the timber and concrete. Use of treated pine eliminates this requirement and is strongly recommended.
2. Accurately mark all frame stations at 600 centres on the plates.
3. Stand up end wall panels and clamp on one fascia and one ridge batten. (Check for square then steady with temporary bracing).
4. Slide in the intermediate frames and fix temporarily to batten and fascia. Fix to plates with metal framing anchors. Door Head is cut and nailed in place so its bottom edge is 12mm lower than fascia. Cut and fit curtailed frame to head. (See Knee gusset detail).
5. Fit timber or metal angle bracing to both sides (not needed with ply sheeting). Fix cladding to all sides and trim with fascia, so that the top edge of the fascia follows in line with the top of roof battens. Fix battens, roofing and ridge flashing as per manufacturers specification for the roof system you have chosen. Roof sheeting should overhang the sides slightly (80mm).
6. Make a rectangle frame which will fit inside the door opening with 3-8mm clearance on all sides. Fit diagonal brace as shown and overlap cladding to give a neat appearance.

Finish and trim shed as desired. eg.:

#### TUDOR STYLE:

White treated pine boards with black battens

#### RANCH STYLE:

Treated pine weatherboards or siding, green trim

#### RUSTIC COLONIAL:

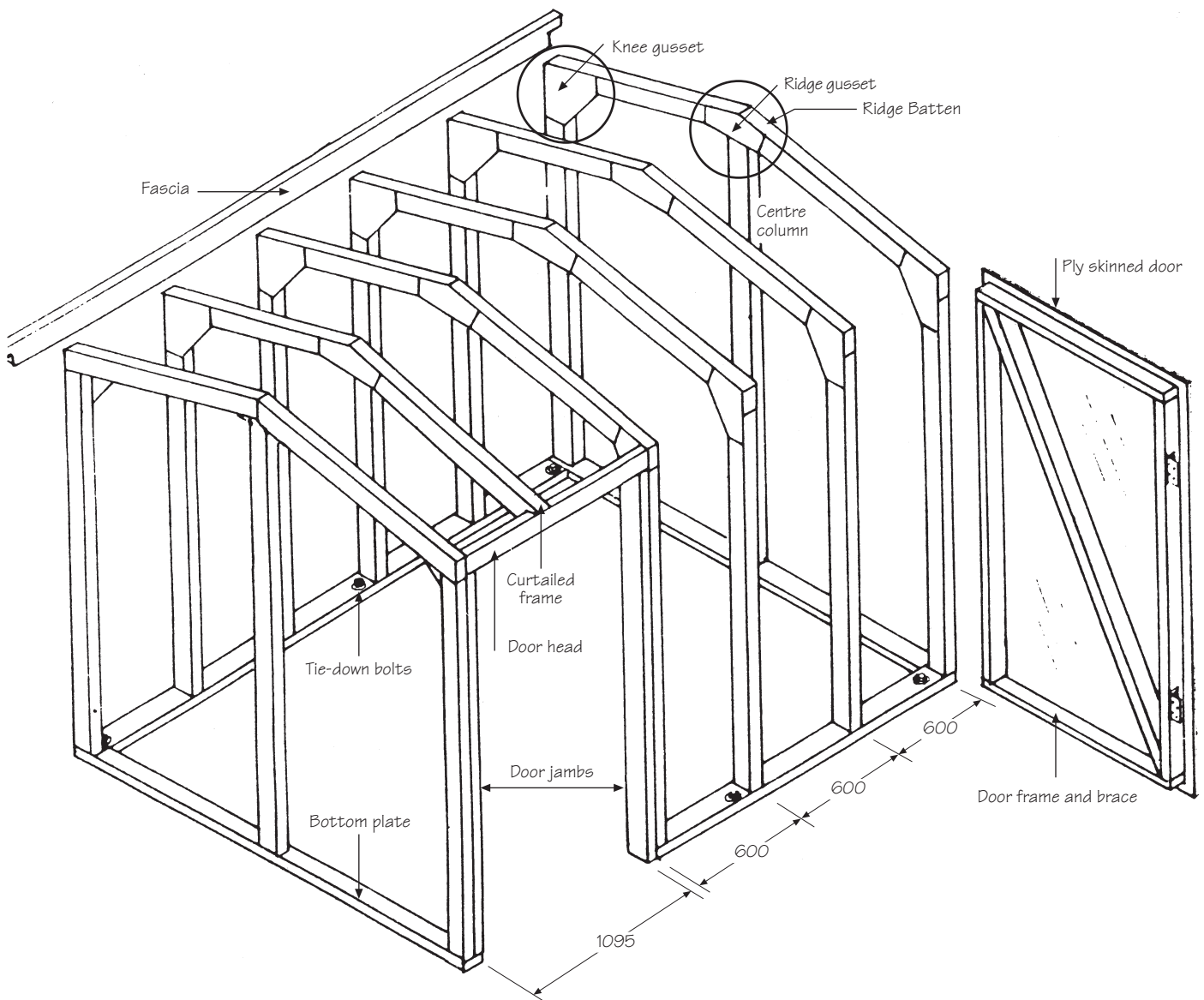
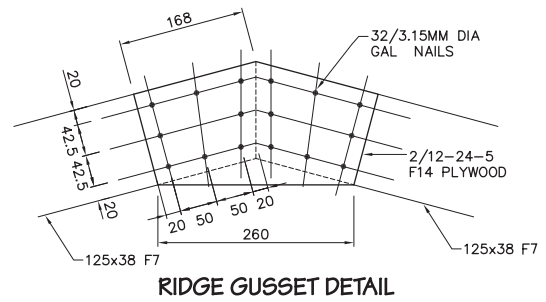
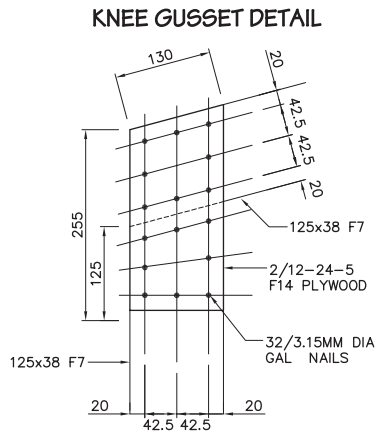
Treated pine shiplap or chamfer board.

#### NORDIC:

Diagonal treated pine chamfer board and shingle roof.

Opaque exterior paints or natural oil stains will preserve and enhance the timber claddings. To reduce heat, pale colours are preferred.

# Slope Analysis and Materials Calculations



## Patterns & Construction details not included

NOTE: It is essential that all sheds are tied down to foundations to prevent damage to surrounding buildings in high winds. Building approval may be required by local Council.

## AUSTRALIA

### H1 INSIDE, ABOVE GROUND

**CONDITIONS:** Completely protected from the weather and well-ventilated.  
**BIOLOGICAL HAZARD:** Lyctid borers.  
**EXAMPLES:** Susceptible framing, flooring, furniture and interior joinery.

### H2 INSIDE, ABOVE GROUND

**CONDITIONS:** Protected from wetting.  
**BIOLOGICAL HAZARD:** Borers including termites.  
**EXAMPLES:** Framing, flooring and similar, used in dry situations.

**H2 F** Conditions and Biological hazard as for H2 although approved for use South of the Tropic of Capricorn only.  
 Example: Framing (envelope treatment).

**H2 S** Conditions and Biological hazard as for H2 although approved for use South of the Tropic of Capricorn only.  
 Example: LVL / Plywood (glue-line treatment).

### H3 OUTSIDE, ABOVE GROUND

**CONDITIONS:** Subject to periodic moderate wetting.  
**BIOLOGICAL HAZARD:** Moderate decay fungi, borers and termites.  
**EXAMPLES:** Weatherboard, fascia, pergolas (above ground), window joinery, framing, decking and laminated verandah posts.

### H3A\*\* OUTSIDE, ABOVE GROUND

**CONDITIONS:** Products predominantly in vertical exposed situations and intended to have the supplementary paint coat system that is regularly maintained.  
**BIOLOGICAL HAZARD:** Moderate decay fungi, borers and termites.  
**EXAMPLES:** Fascia, barge boards, exterior cladding, window joinery, door joinery and non-laminated verandah posts.

### H4 OUTSIDE, IN-GROUND

**CONDITIONS:** Subject to severe wetting.  
**BIOLOGICAL HAZARD:** Severe decay fungi, borers and termites.  
**EXAMPLES:** Fence posts, garden walls less than 1m high, greenhouses, posts and landscaping timbers.

### H5 OUTSIDE, IN-GROUND OR IN FRESH WATER

**CONDITIONS:** Subject to extreme wetting and/or where the critical use requires a higher degree of protection.  
**BIOLOGICAL HAZARD:** Very severe decay fungi, borers and termites.  
**EXAMPLES:** Retaining walls, piling, house stumps, building poles and cooling tower fill.

### H6 MARINE WATERS

**CONDITIONS:** Subject to prolonged immersion in sea water.  
**BIOLOGICAL HAZARD:** Marine wood borers and decay fungi.  
**EXAMPLES:** Boat hulls, marine piles, jetty cross-bracing, landing steps and similar.

**Note: Please refer to the complete standards for more detailed information. \*\*as per AS1604 and NSW TMA.**

1. Do not burn preserved wood
2. Wear dust mask & goggles when cutting or sanding wood
3. Wear gloves when working with wood
4. Some preservative may migrate from the treated wood into soil/water or may dislodge from the treated wood surface upon contact with skin. Wash exposed skin areas thoroughly
5. All sawdust and construction debris should be cleaned up and disposed of after construction
6. Wash work clothes separately from other household clothing before re-use
7. Preserved wood should not be used where it may come into direct or indirect contact with drinking water, except for uses involving incidental contact such as fresh water docks and bridges
8. Do not use preserved wood under circumstances where the preservative may become a component of food, animal feed or beehives
9. Do not use preserved wood as mulch
10. Only preserved wood that is visibly clean and free of surface residue should be used
11. Do not use preserved wood in direct contact with aluminum
12. If the wood is to be used in an interior application and becomes wet during construction, it should be allowed to dry before being covered or enclosed
13. Disposal Recommendations: Preserved wood may be disposed of in landfills or burned in commercial or industrial incinerators or boilers in accordance with federal, state and local regulations
14. If you desire to apply a paint, stain, clear water repellent or other finish to your preservative treated wood, we recommend following the manufacturer's instructions and label of the finishing product. Before you start, we recommend you apply the finishing product to a small exposed test area before finishing the entire project to insure it provides the intended result before proceeding
15. For more information visit [www.naturewoodproducts.com](http://www.naturewoodproducts.com)
17. Mold growth can and does occur on the surface of many products, including untreated and treated wood, during prolonged surface exposure to excessive moisture conditions. To remove mold from the treated wood surface, wood should be allowed to dry. Typically, mild soap and water can be used to remove remaining surface mold. For more information visit [www.epa.gov](http://www.epa.gov)

## Timber care

Cutting, notching or boring may expose untreated heartwood, A liberal coating of PROTIM RESEAL is recommended to restore the protective envelope. For more details refer to the PROTIM TimberCare product literature. The appearance and surface water repellency of Osmose LifeWood & NatureWood can be enhanced periodically with PROTIM RainCoat UV Plus.



\*For further information see separate brochure, consumer information and handling guide and guarantee documents or visit [www.osmose.com.au](http://www.osmose.com.au).

Osmose®, Lifewood®, NatureWood®, ACQ®, PROTIM®, RESEAL® and MoistureGuard™ are trademarks of Osmose, Inc. or its subsidiaries. Lifewood, NatureWood and PROTIM treated timber products are produced by independently owned and operated wood preserving facilities. CCA products are treated with Chromated Copper Arsenate preservatives. ACQ products are treated with Alkaline Copper Quaternary preservatives. PROTIM® LOSP products are treated with Tributyltin, Permethern and/or IPBC preservatives. © 04/2005 Osmose Australia # GIPSTPADIY13-0405

*These plans have been checked and approved (at the time of printing) by Roy B. Hoskins & Associates of Qld 4006 (Structural & Civil Engineers), to be technically accurate and designed in accordance with the appropriate Australian Building standards. As local & National laws are subject to change, please ensure you check with your local authorities prior to starting construction.*

For customer service please call:  
**GIPPSLAND TREATED PINE PTY LTD**  
 Ph. (03) 5134 5333 Fax. (03) 5134 8979  
 8 Kirwin Road Morwell 3840  
[www.gtpine.com.au](http://www.gtpine.com.au)